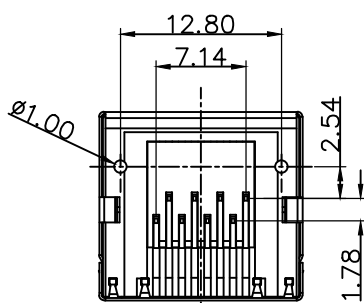
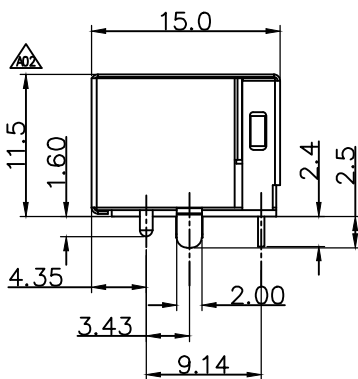
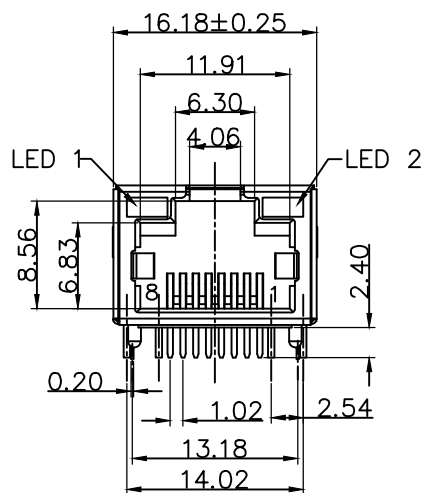
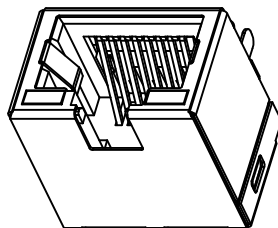
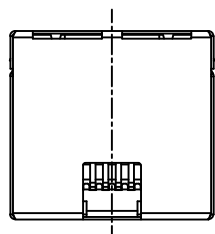


CATEGORY	DESCRIPTION	P/N #
CONNECTOR	RJ45 8P8C 90度插板带灯带壳 (弯脚)	MJ3288-BX11-NRLX

REV.	ECN NO	DESCRIPTION	REVISED	DATE
A01		New Release	XSY	2014.08.26
A02		修改尺寸	XSY	2015.06.05

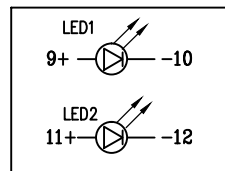


MJ3288-BX11-NRLX

See Table 1

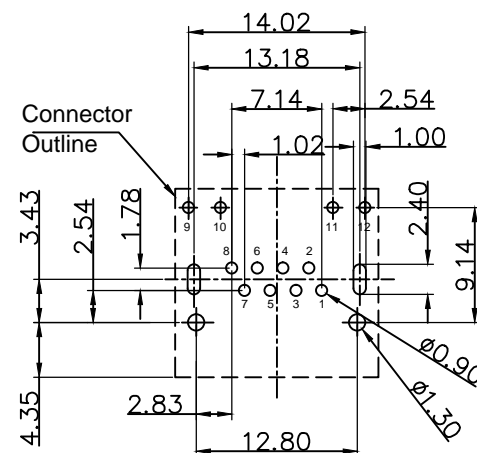
X	LED1	LED2
1	GREEN	YELLOW
2	YELLOW	GREEN

X	Terminal Plating
0	G/F Plating
1	Au 3u" Plating
2	Au 6u" Plating
3	Au 15u" Plating
4	Au 30u" Plating



1.RJ ELECTRICAL CHARACTERISTICS

- 1-1: VOLTAGE: 125V AC RMS
- 1-2: CURRENT RATING: 1.5A
- 1-3: CONTACT RESISTANCE: 40mΩ MAX.
- 1-4: INSULATION RESISTANCE: 500MΩ MIN.
- 1-5: DIELECTRIC WITHSTANG VOLTAGE : 1000V AC
- 1-6: OPERATURE TEMPERATURE: -40°C~80°C



Recommend PCB Layout
(Jack Top View)
Tolerance: ±0.05mm

e	LED2	1	SEE TABLE 1		
d	LED1	1	SEE TABLE 1		
c	SHELL	1	BRASS	Ni PALTING	
b	TERMINAL	8	PHOSPHOR BRONZE T=0.35mm	Au PALTING	
a	HOUSING	1	LCP UL94V-0	BLACK	
NO.	PART NAME	Q'TY	MATERIAL	PLATING & COLOR	Remark

UNLESS OTHERWISE SPECIFIED TOLERANCES

DECIMALS:	ANGLES:
X : ±0.5	X : ±2°
X.X : ±0.3	X.X : ±1°
X.XX : ±0.2	

東莞市合陵電子有限公司
DongGuan Heling Electronic Co.,LTD

SCALE: 1/1	UNIT: mm	DWG.NO:
SIZE: A3	PAGE: 1 OF 1	REV:A02
APPROVED BY	CHECKED BY	PREPARED BY
DICK	XSY	XSY
CUSTOMER COPY		